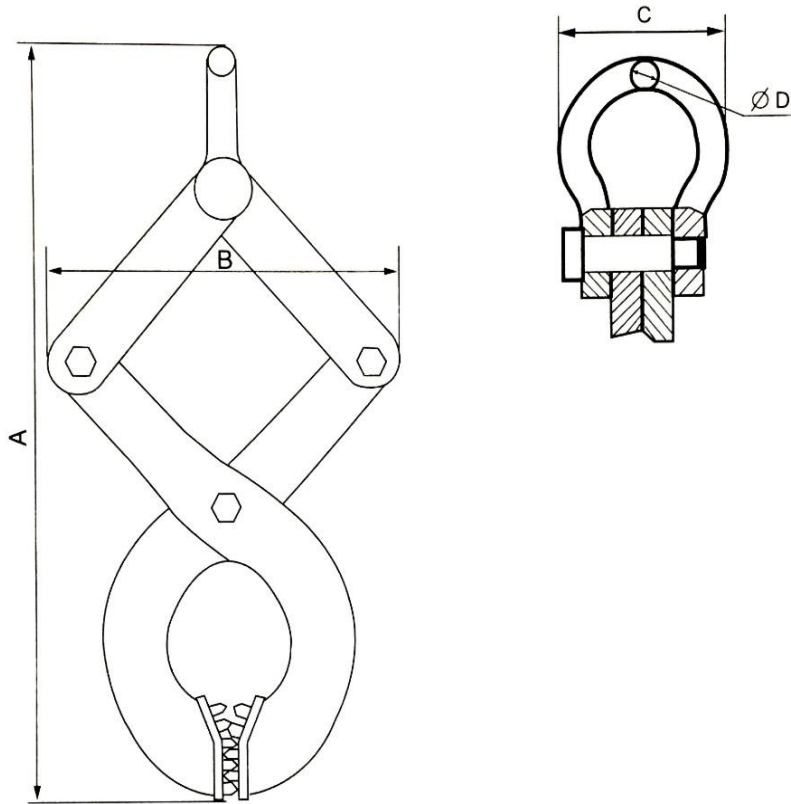


Pallet Pullers



⚠WARNING

Do not exceed rated capacity.

Do not use pallet puller for lifting. This unit is designed for pulling pallets across a smooth floor only. Keep away from load, chain and pallet puller while pulling load.

Failure to heed these warnings may result in property damage and/or personal injury.

| Model No. | Capacity (lbs) | A Max(in.) | A Min(in.) | B Max(in.) | B Min(in.) | C (in.) | D (in.) | Net Wt(lbs) | Ship Wt(lbs) |
|-----------|----------------|------------|------------|------------|------------|---------|---------|-------------|--------------|
| VK-1 | 2,000 | 16-3/4 | 7-3/4 | 12-3/16 | 9-3/16 | 2-13/16 | 5/8 | 11 | 14 |
| VK-2 | 4,000 | 20-1/4 | 10-5/8 | 15-3/8 | 13-3/16 | 3-3/8 | 11/16 | 19 | 23 |
| VK-3 | 6,000 | 26-3/8 | 11-7/8 | 17-7/8 | 13-5/16 | 3-7/8 | 13/16 | 27 | 32 |